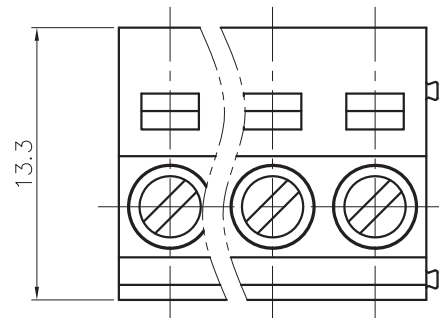


REVISION RECORD				
REV	ECN	DESCRIPTION	DRFT	DATE



NOTES1:

UL Standard

1. Rated Voltage/Current : 300V / 20A
2. Torque Value : M2.5 , 3.54Lb.in
3. Wire Range : 24~12AWG

IEC Standard

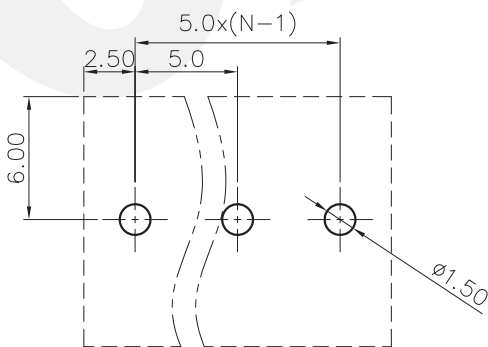
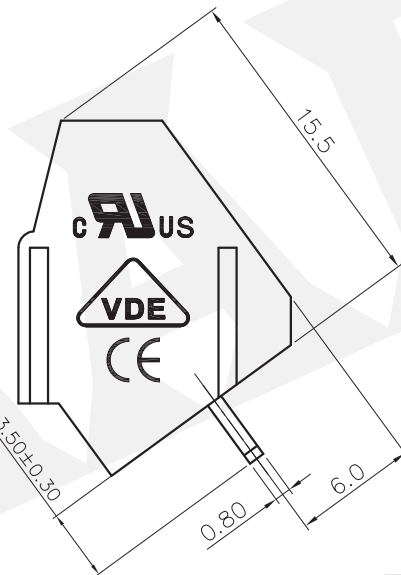
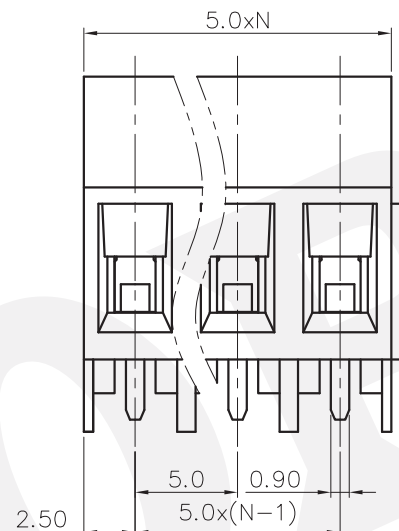
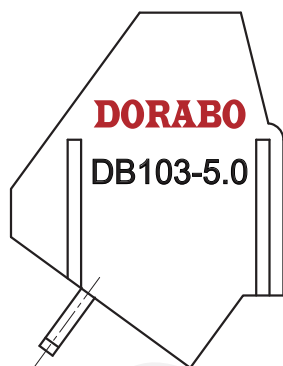
1. Rated Voltage/Current : 250V / 24A
2. Torque Value : M2.5 , 0.4N.m
3. Wire Range : 2.5mm²

NOTES2:

1. Dimension shall be interpreted per ASME Y14.5-2009
2. Pitch : 5.0mm, Poles : N=02~24P
3. Stripping length : 5~6mm
4. Withstanding Voltage : AC2000V/1Min.
5. Operating temperature : -40°C~+105°C
6. Un dimensioned Tolerances:

Pitch range in mm		Nominal dimension range in mm						Tolerances	
Over 6	Over 10	Over 30	Over 60	Over 100	Over 150	0.1/10	∩	□	
TO 6	TO 10	TO 30	TO 60	TO 100	TO 150	<	∩	□	
±0.15	±0.20	±0.30	±0.30	±0.50	±0.70	±1.00	±1.30	±2*	

7. RoHS Compliance



PCB LAYOUT

DB103 - 5.0 - XXP - 1Y - 00A (H)
 (Series No.) (Pitch) (Poles) (Single Pitch) (RoHS) 00A-(Standard)
 (Color) : 1.(Grey) 2.(Blue) 3.(Black) 4.(Green) 5.(Orange) 6.(Red) 7.(Transparent) 8.(Yellow) 9.(White)

DETACHED LISTS	PART NO.:	DORABO 慈溪市地博电子有限公司 CIXI DORABO ELECTRONICS CO.,LTD			
	APPD:	NAME: DB103-5.0-XXP-1Y-00A(H)			
	CHKD:	TITLE: CUSTOMER DRAWING			
	DRFT:	DRAWING NO.:		REV	DO
THIRD ANGLE PROJECTION		MM (INCH)	DO NOT SCALE DRAWING	SHEET 1/1	SCALE 1:1