

环保物料

TEL: 0769-82001899

Poles	DIM. A	DIM. B	DIM. C
2P	1.0	4.5	2.6
3P	2.0	5.5	3.6
4P	3.0	6.5	4.6
5P	4.0	7.5	5.6
6P	5.0	8.5	6.6
7P	6.0	9.5	7.6
8P	7.0	10.5	8.6
9P	8.0	11.5	9.6
10P	9.0	12.5	10.6
11P	10.0	13.5	11.6
12P	11.0	14.5	12.6
13P	12.0	15.5	13.6
14P	13.0	16.5	14.6
15P	14.0	17.5	15.6
16P	15.0	18.5	16.6
17P	16.0	19.5	17.6
18P	17.0	20.5	18.6
19P	18.0	21.5	19.6
20P	19.0	22.5	20.6

SPECIFICATIONS

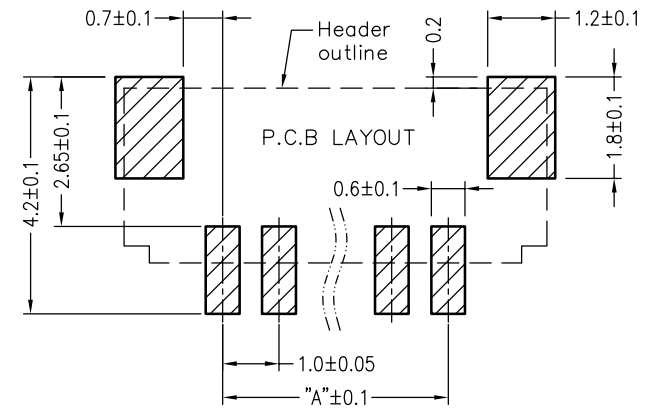
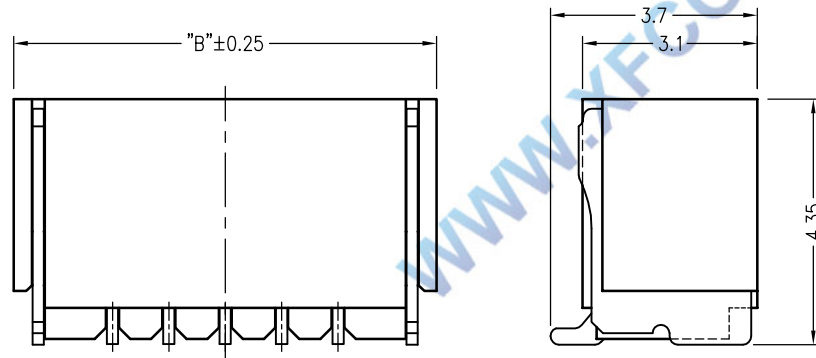
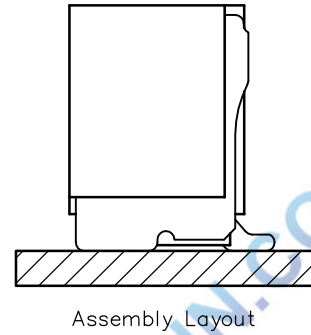
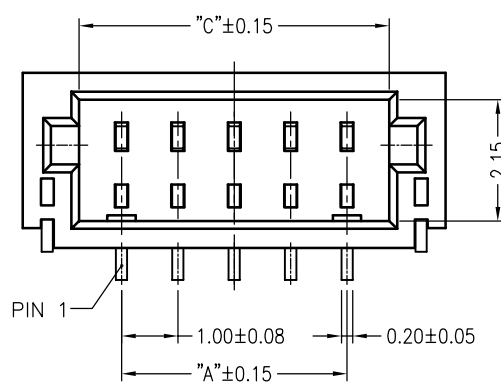
1. Voltage rating: 50V AC, DC
 2. Current rating: 1A, AC, DC
 3. Withstanding Voltage: 500V AC/minute
 4. Insulation resistance: 100M min
 5. Temperature range: -25 ° C - +85 ° C
 6. Contact resistance: 20m max
- WAFER

Housing Material: PA9T UL 94V0
 Pin Material: Phosphor Bronze or Brass
 Contact Area Plating: Plated Tin or Plated Gold
 Mates with :P1010 series Housing
 Poles: 02-20P

Part No.: M1010VS-xx-9T-R

R=卷装 无=管装

Pin位数



AO	VER	MODIFICATION	DRAW	DATE
----	-----	--------------	------	------

TOLERANCE UNLESS OTHERWISE				DRAWN	CK tan
X.	±0.30	X°	±5°	CHKD	
.X	±0.20	.X°	±2°	APPD	
.XX	±0.08	.XX°	±1°	VIEW	⊕
.XXX	±0.03	.XXX°	±0.5°		

XFCN 兴飞连接器有限公司	
CONNECTORS XFCN CONNECTORS CO., LTD.	
PRODUCT NAME	1.00mm Crimp Style Connectors
PART. NO.	M1010VS-xx-9T-R

SHEET	1/1
DATE	2010. 4. 12
UNITS	mm
SCALE	1:1
DWG. NO.	009