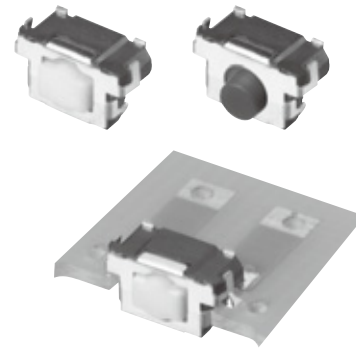


6.2 mm×2.5 mm Side-operational Edge Mount

Light Touch Switches

Type: **EVQP4**



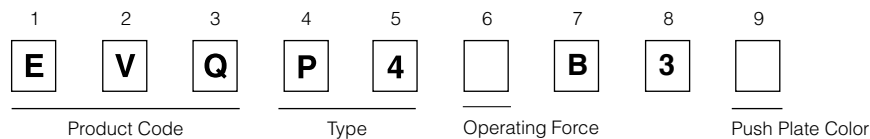
■ Features

- External dimensions : 6.2 mm×2.55 mm (Excluding the push plate), Height 3.5 mm (Printed circuit board being as low as 1.35 mm)
- Side-operational Middle Travel (0.7 mm) with a high operating force (5.0 N)
- Improved soldering strength in the operating direction when mounted on PC board edge

■ Recommended Applications

- Operation switches for portable electronic equipment (Mobile phones, Digital still cameras, Camcorders, Portable audio players, etc.)
- Keyless entry (car electronics)
- Car audio equipment

■ Explanation of Part Numbers


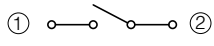
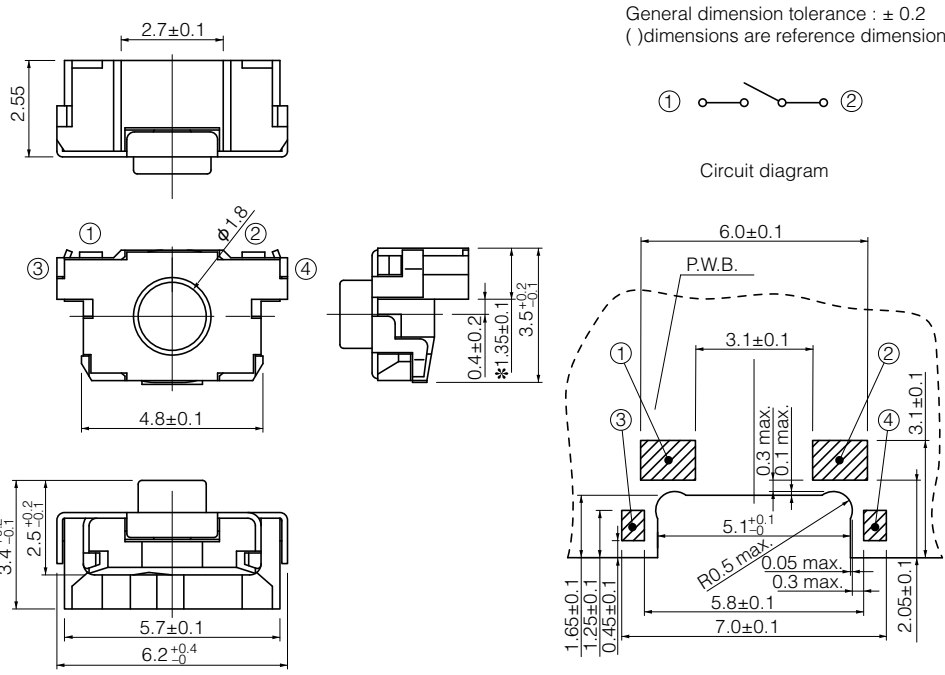

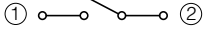
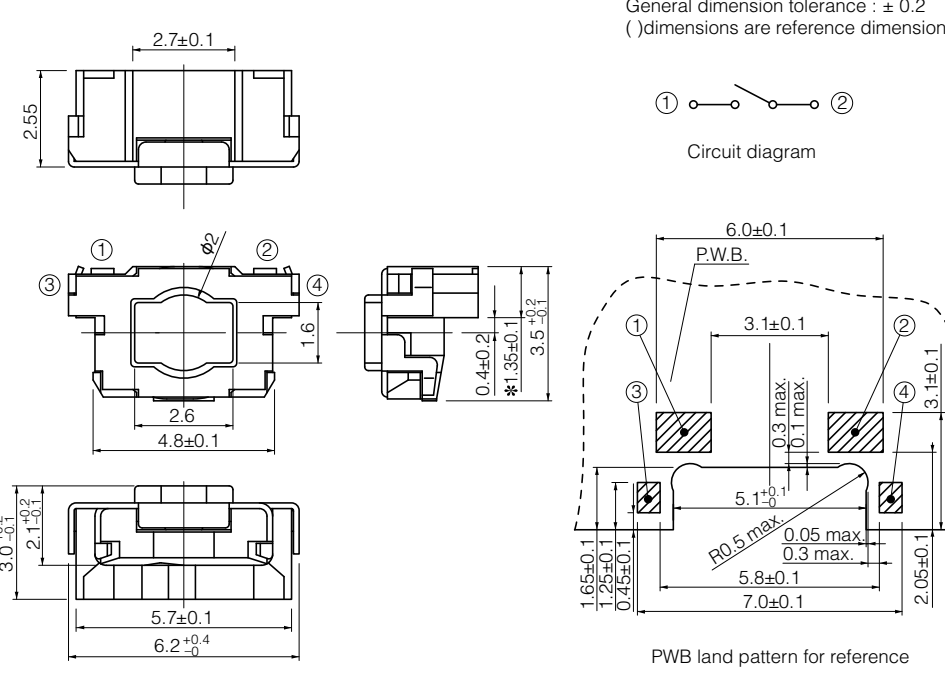


■ Specifications

Travel Type		Middle Travel	Short Travel
Type		Snap action / Push-on type SPST	
Electrical	Rating	10 μA 2 V DC to 20 mA 15 V DC (Resistive load)	
	Contact Resistance	100 mΩ max.	
	Insulation Resistance	100 MΩ min. (at 100 V DC)	
	Dielectric Withstanding Voltage	250 V AC for 1 minute	
	Bouncing	10 ms max. (ON, OFF)	
Mechanical	Operating Force	2.5 N, 3.5 N, 5.0 N	1.0 N, 1.6 N, 2.4 N, 3.5 N
	Travel	0.70 mm±0.2 mm	0.25 mm ^{+0.05} / _{-0.15} mm
	Push Strength	50 N (1 minute)	
Endurance	Operating Life	2.5 N: 1,000,000 cycles min.	1.0 N, 1.6 N: 1,000,000 cycles min.
		3.5 N: 500,000 cycles min.	2.4 N: 500,000 cycles min.
		5.0 N: 200,000 cycles min.	3.5 N: 200,000 cycles min.
Operating Temperature		-40 °C to +85 °C	
Storage Temperature		-40 °C to +85 °C (Bulk) -20 °C to +60 °C (Taping)	
Minimum Quantity/Packing Unit		2,500 pcs. Embossed Taping (Reel Pack)	
Quantity/Carton		12,500 pcs.	

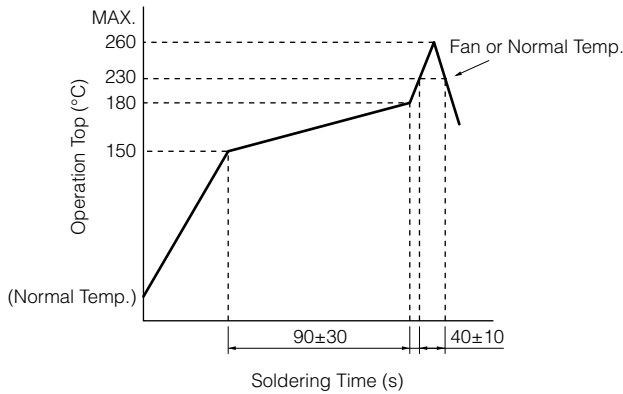
Design and specifications are each subject to change without notice. Ask factory for the current technical specifications before purchase and/or use. Should a safety concern arise regarding this product, please be sure to contact us immediately.

■ Dimensions in mm (not to scale)

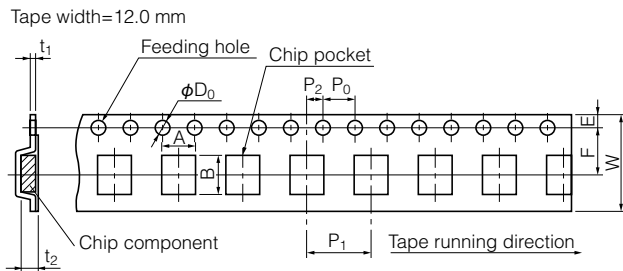
<p>No. 1</p> <p>EVQP4</p> <p>Middle travel</p> 	<p>General dimension tolerance : ± 0.2 () dimensions are reference dimensions.</p>  <p>Circuit diagram</p>  <p>* Height from surface of PCB : 1.35 mm</p>			
<p>Part Numbers</p>	<p>Operating Force</p>	<p>Height</p>	<p>Push Plate Color</p>	<p>Operating Life</p>
<p>EVQP4HB3B</p>	<p>2.5 N</p>	<p>3.5 mm</p>	<p>Blue</p>	<p>1,000,000 cycles</p>
<p>EVQP4KB3Q</p>	<p>3.5 N</p>	<p>3.5 mm</p>	<p>Gray</p>	<p>500,000 cycles</p>
<p>EVQP4MB3K</p>	<p>5.0 N</p>	<p>3.5 mm</p>	<p>Black</p>	<p>200,000 cycles</p>
<p>No. 2</p> <p>EVQP4</p> <p>Short travel</p> 	<p>General dimension tolerance : ± 0.2 () dimensions are reference dimensions.</p>  <p>Circuit diagram</p>  <p>* Height from surface of PCB : 1.35 mm</p>			
<p>Part Numbers</p>	<p>Operating Force</p>	<p>Height</p>	<p>Push Plate Color</p>	<p>Operating Life</p>
<p>EVQP40B3M</p>	<p>1.0 N</p>	<p>3.5 mm</p>	<p>Natural</p>	<p>1,000,000 cycles</p>
<p>EVQP42B3M</p>	<p>1.6 N</p>	<p>3.5 mm</p>	<p>Natural</p>	<p>1,000,000 cycles</p>
<p>EVQP44B3M</p>	<p>2.4 N</p>	<p>3.5 mm</p>	<p>Natural</p>	<p>500,000 cycles</p>
<p>EVQP46B3M</p>	<p>3.5 N</p>	<p>3.5 mm</p>	<p>Natural</p>	<p>200,000 cycles</p>

Design and specifications are each subject to change without notice. Ask factory for the current technical specifications before purchase and/or use.
Should a safety concern arise regarding this product, please be sure to contact us immediately.

■ Recommended Reflow Soldering Conditions



● Embossed Carrier Taping



Taping condition : Lack of products in the middle of taping should be one MAX, but total quantity specified in the specifications should be secured.

Peeling off strength of top tape : It should be within 0.2N to 1.0N at 165 degree in peeling off angle.

Joint of carrier tape : One joint per one reel may exist.

Unit: mm

Part No.	Height	A	B	W	F	E	P_1	P_2	P_0	D_0 Dia.	t_1	t_2
EVQP4	3.5	6.5 ± 0.2	3.9 ± 0.2	12.0 ± 0.3	5.5 ± 0.1	1.75 ± 0.10	8.0 ± 0.1	2.0 ± 0.1	4.0 ± 0.1	$1.5_{-0}^{+0.1}$	0.4 ± 0.1	3.75 ± 0.20

Requests to customers

Please refer to "the latest product specifications" when designing your product.

Requests to customers :

<https://industrial.panasonic.com/ac/e/salespolicies/>

Safety Precautions

When using our products, no matter what sort of equipment they might be used for, be sure to confirm the applications and environmental conditions with our specifications in advance.

Please contact

Panasonic Corporation

Electromechanical Control Business Division

■ 1006, Oaza Kadoma, Kadoma-shi, Osaka 571-8506, Japan
industrial.panasonic.com/ac/e/

Panasonic[®]

©Panasonic Corporation 2019