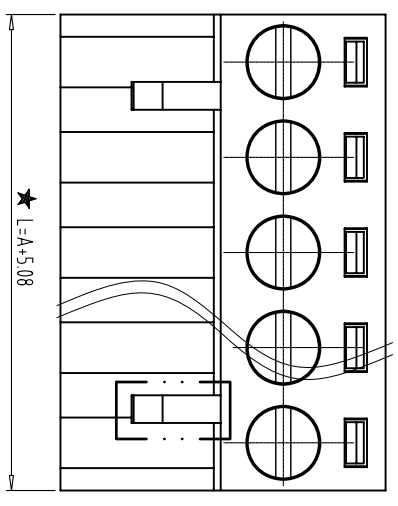
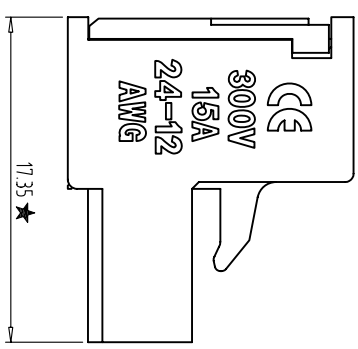
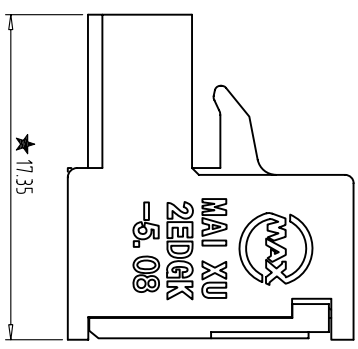
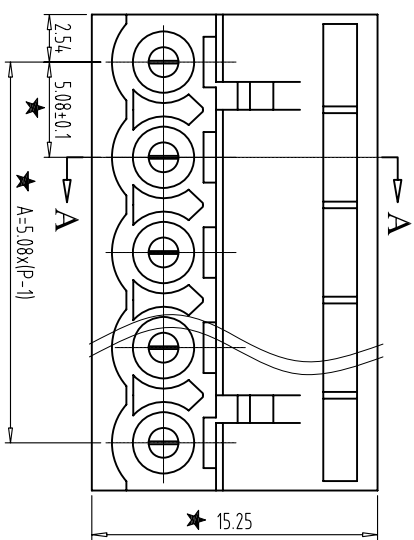
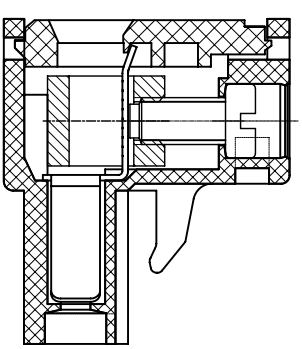


| REVISIONS |     |             |      |          |
|-----------|-----|-------------|------|----------|
| ZONE      | REV | DESCRIPTION | DATE | APPROVED |
|           |     |             |      |          |

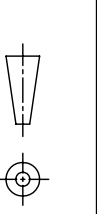


02P板卡每

- NOTES:
1. Rating:300V 15A;
  2. Insulation Withstands Voltage: AC2000V/MIN
  3. Insulation Resistance: 500MΩ or more at DC500V
  4. Using Temperature Range: -40°C~+105°C
  5. Screw Torque Value:0.4N.m
  6. Suitable Electric Wire: 28~12AWG
  7. "★" is the important dimension.



| Total Pitch Tolerances |       |       |      |       |       |       |       |       |       |       |       | Nominal dimension range |       |       |       |       |       |     |     |     |     |     |     |
|------------------------|-------|-------|------|-------|-------|-------|-------|-------|-------|-------|-------|-------------------------|-------|-------|-------|-------|-------|-----|-----|-----|-----|-----|-----|
| over                   | 0     | 30    | 53   | 70    | 90    | 115   | 150   | 250   | 350   | 500   | to    | over                    | 0     | 30    | 53    | 70    | 90    | 115 | 150 | 200 | 250 | 320 | to  |
| ±0.18                  | ±0.20 | ±0.25 | ±0.3 | ±0.35 | ±0.44 | ±0.60 | ±0.70 | ±0.85 | ±0.20 | ±0.25 | ±0.30 | ±0.35                   | ±0.44 | ±0.55 | ±0.70 | ±0.80 | ±0.90 | 0.2 | 0.3 | 0.3 | 0.2 | 0.3 | 0.5 |



THIRD ANGLE PROJECTION

**MAI XU** 慈溪市迈旭电子有限公司  
Cixi Maixu Electronics Co., Ltd.

**MX2EDGK-5.08-XXP-XC**

|       |   |           |                      |         |     |
|-------|---|-----------|----------------------|---------|-----|
| CHKD: | / | SIZE      | FSCM NO.             | DWG NO. | REV |
| DRFT: | / | MM (INCH) | DO NOT SCALE DRAWING | SHEET   |     |