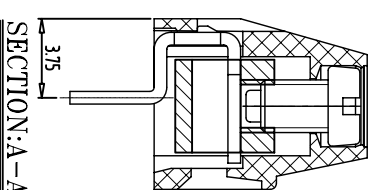
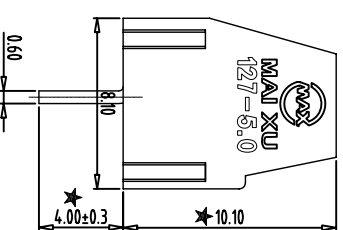
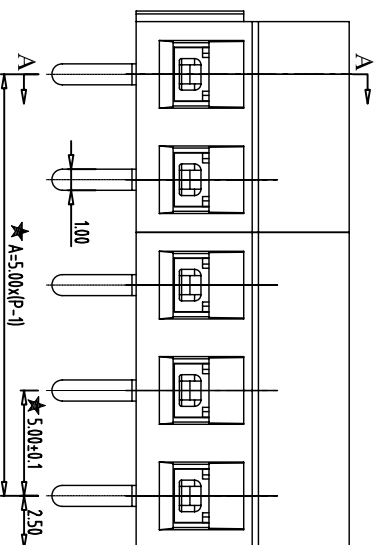
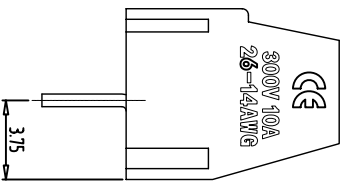
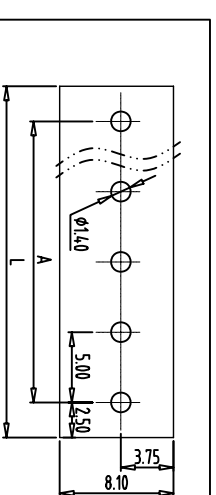
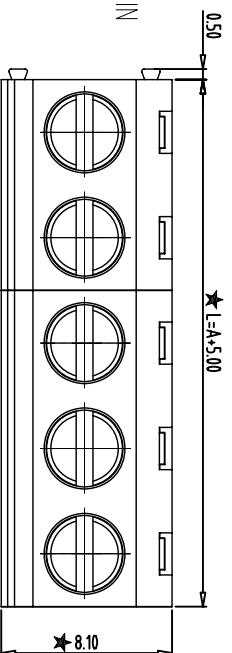


REVISIONS				
ZONE	REV	DESCRIPTION	DATE	APPROVED



NOTES:

1. Rating: 300V 10A;
2. Insulation Withstands Voltage: AC2000V/MIN
3. Insulation Resistance:
500MΩ or more at DC500V
4. Using Temperature Range: -40°C/+105°C
5. Screw Torque Value: 0.4Nm
6. Suitable Electric Wire: 16-26AWG
- 7, " ★ " the important dimension.



PCB LAYOUT
S=2:1

Total Pitch Tolerances

Nominal dimension range

over	0	to	30	53	70	90	115	150	250	350	500	over	0	30	53	70	90	115	150	200	250	320	10	10	all	100	150	over
±0.18	±0.20	±0.25	±0.3	±0.35	±0.44	±0.60	±0.70	±0.85	±0.20	±0.25	±0.30	±0.35	±0.44	±0.55	±0.70	±0.80	±0.90	0.2	0.3	0.3	0.2	0.3	0.3	0.2	0.3	0.3	0.5	0.5



THIRD ANGLE PROJECTION

CHKD: /

DRFT: /

MAIXU 慈溪市迈旭电子有限公司
Cixi Maixu Electronics Co., Ltd.

MX127-5.0-XXP-XC

SIZE	FSQM NO.	DWG NO.	REV
MM (INCH)			

DO NOT SCALE DRAWING SHEET