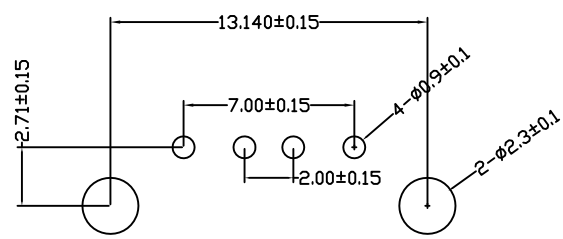
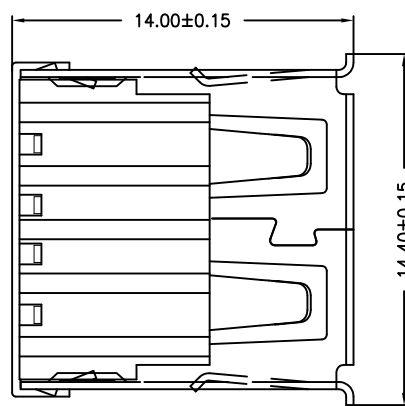
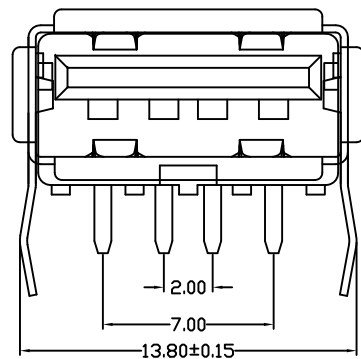
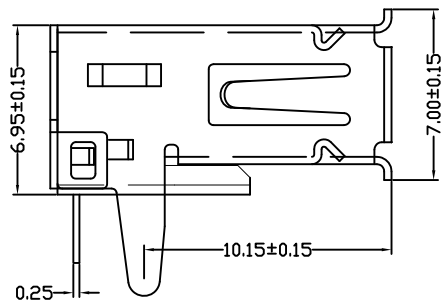


目錄 MAPX	設變內容 MODIFICATION	日期 DATE



RBCOMMENDBD P.C.B PATTBRN LAYO UT

备注：侧弹分为外弹与内弹

NOTES:
Housing: Thermoplastics,UL94V-0
Contact: Copper Alloy
Shell: Copper Alloy/Steel
Voltage Current Rating:1.5 AMP. 30V AC
Insulation Resistance:1000MΩ Min.
Contact Resistance:30 MΩ Max.
Dielectric Withstanding Voltage:500V AC
Temperature Range:-35°C to +85°C
Insulator color: Black/White
Plastic material:PBT/LCP/Others
Shell finish:Nickel plated/Tin-Lead plated
Mechanical:
Mating Force:3.5KG MAX
Unmating Force:0.7 KG MIN.
Contact finish:
01:Selective Gold Flash
02:Selective Gold 3U”
03:Selective Gold 5U”
04:Selective Gold 15U”
05:Selective Gold 30U”

产品图 PRODUCT CHART DWG				深圳市精拓金电子有限公司						
公差一览表 TOLERANCE UNLESS OTHERWISE				单位 UNITS	MM	制图 DRAWING	Z-Y-B	产品料号 PRODUCT PART NO.	901-132A1013D10110	
X.	±0.25	X'	±5°	比例 SCALE	1:1	审核 CHKD	雷永键	产品名称 PRODUCT NO.	AF90度外扣弯脚有边内弹铜壳	
.X	±0.20	.X'	±2°						14.0一型加宽PBT白胶 改胶芯	
.XX	±0.15	.XX'	±1°	日期 DATE	2009/10/20	核准 APPD	雷永键	角法 VIEW	⊕ ⊖	版本 VER
.XXX	±0.10	.XXX'	±0.5°							A0